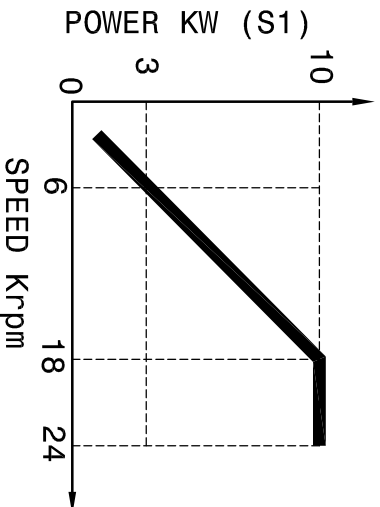
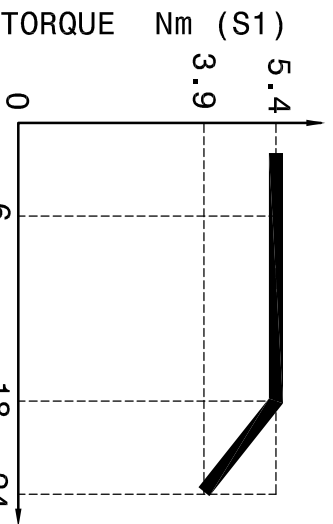
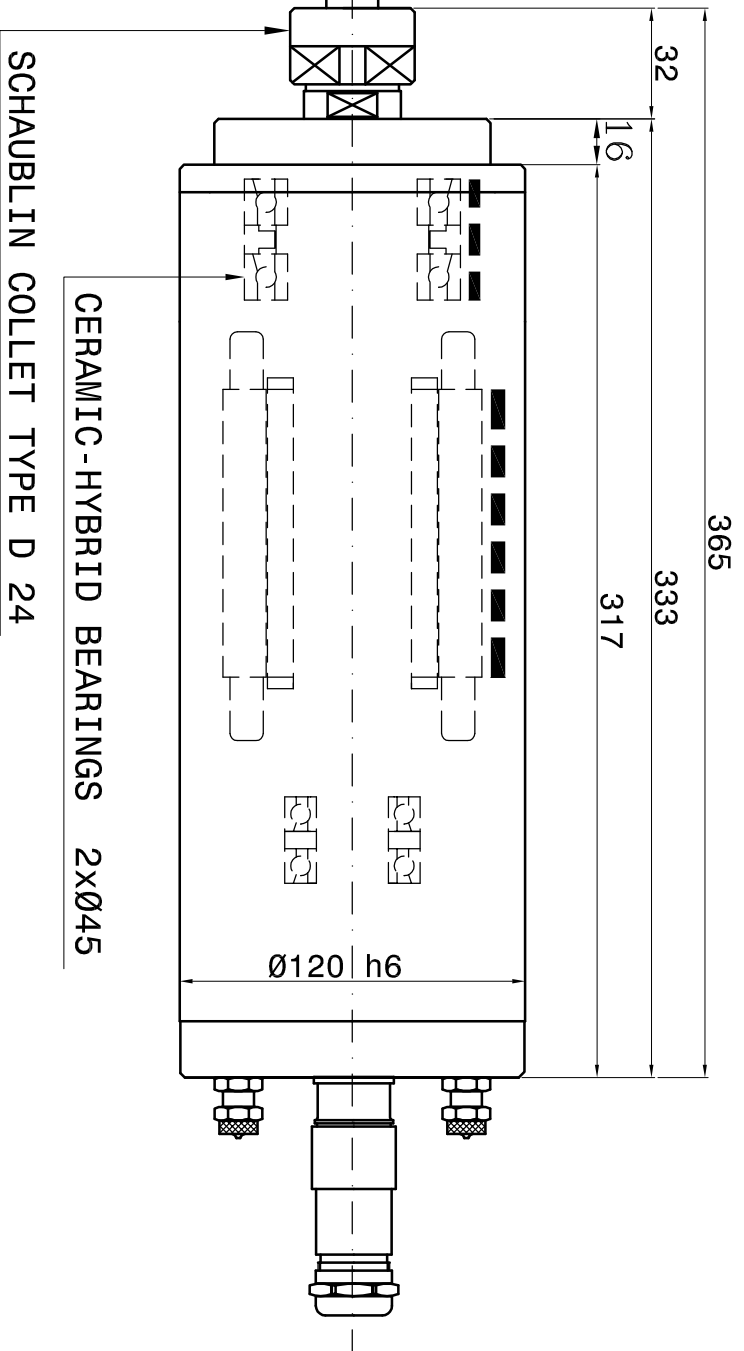
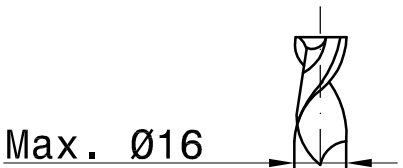
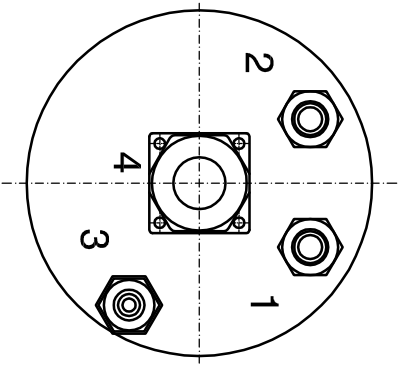


HSK C 40 DIN 69893

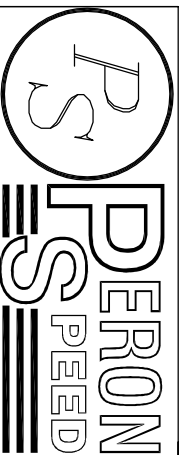


CURRENT MAX 24 A - 380V

Runout taper 0.002mm

Weight: 18 Kg

- 1-Coolant inlet (G1/8")
- 2-Coolant outlet (G1/8")
- 3-Front-side pressurization (M6)
- 4-Electric connection
- 3Phases motor - Earth
- Motor thermich switch (N°1 NC)



SUBJECT : M-4
CUSTOMER :

Sheet:1/1

DATA : 17/04/2007