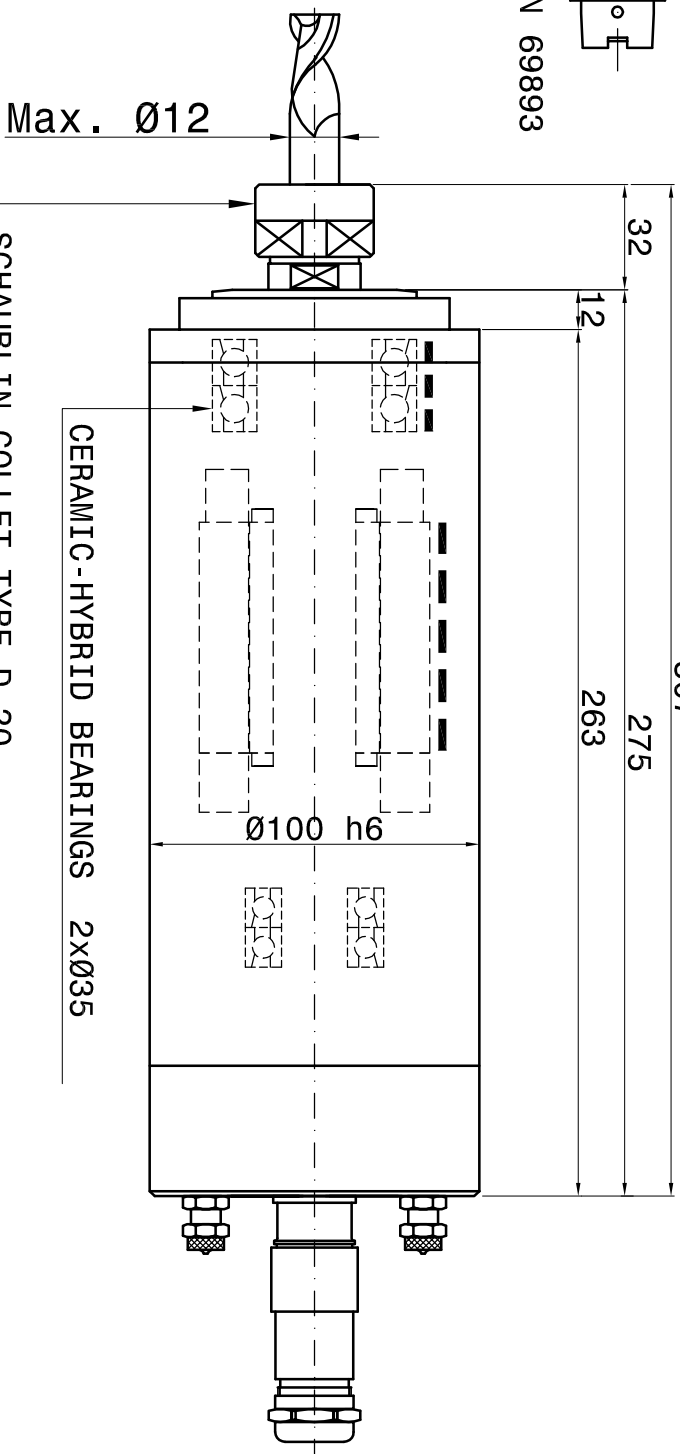
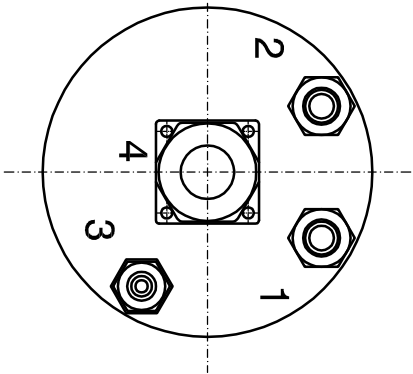
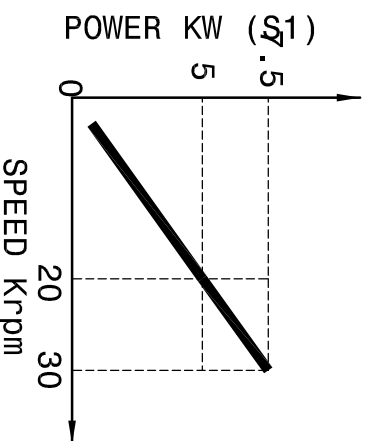
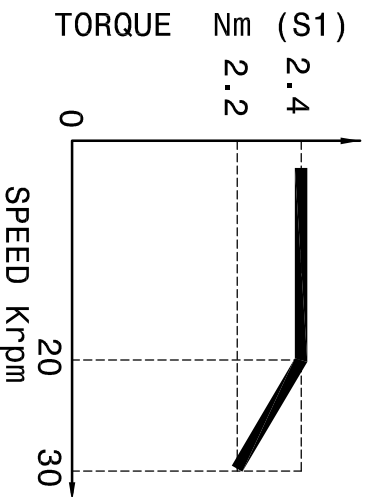


HSK C 32 DIN 69893



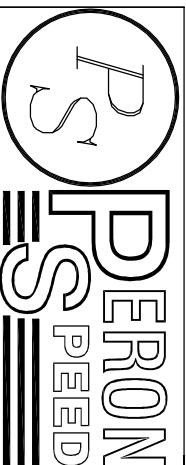
- 1-Coolant inlet (G1/8")
  - 2-Coolant outlet (G1/8")
  - 3-Front-side pressurization (G1/8")
  - 4-Electric connection
- 3Phases motor - Earth  
Motor thermich switch (N°1 NC)



CURRENT MAX 20 A - 380V

Runout taper 0.002mm

Weight: 11 Kg



Sheet: 1/1

SUBJECT : M-3

CUSTOMER :

DATE : 17/04/2007