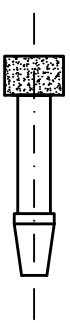
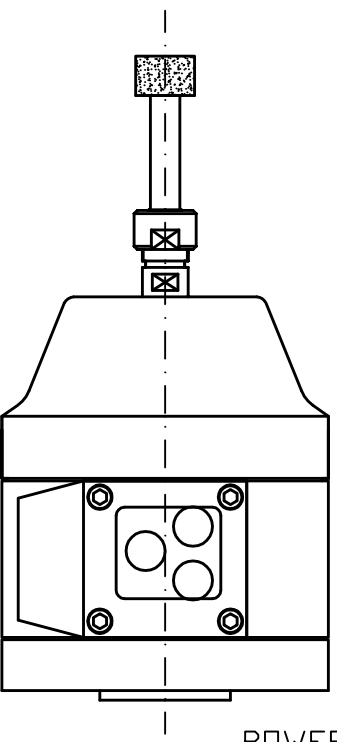
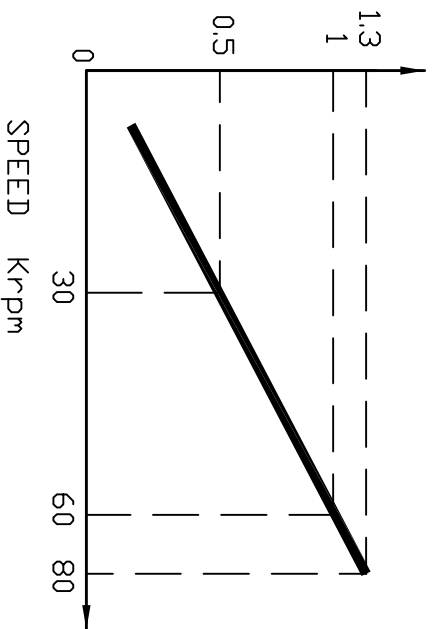


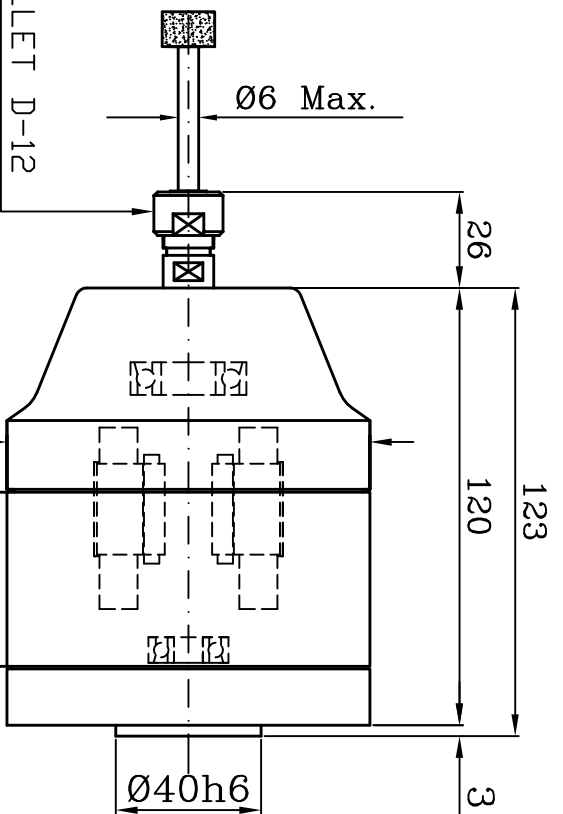
WEIGHT : Kg 4.5



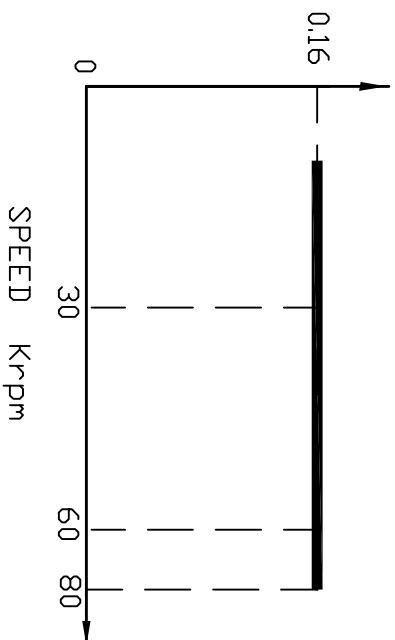
POWER KW (S1)



SCHAUBLIN COLLET D-12

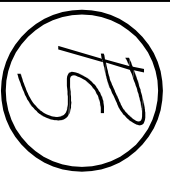


TORQUE Nm (S1)



MAX SHAFT ROTATION
ERRDR 0.002 mm

MAX CURRENT 6 A - 153 V



PERON
SPEED

SUBJECT : PS-JG-2
CUSTOMER :

SHEET : 1/1

DATE : 27/02/2007