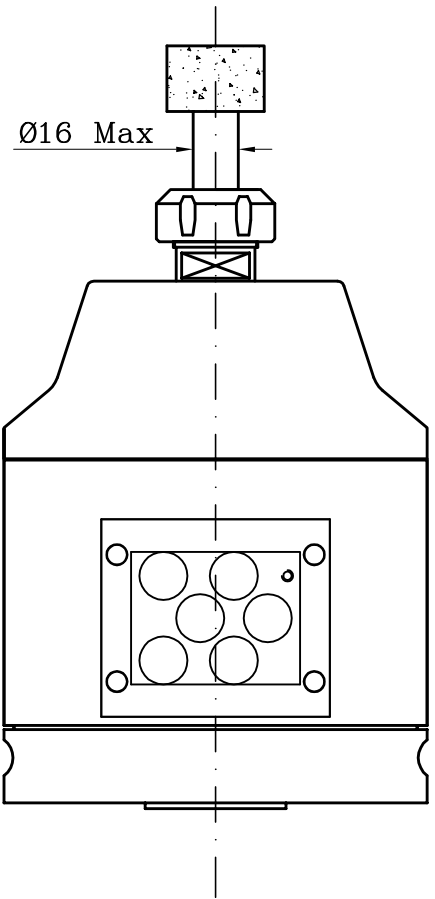
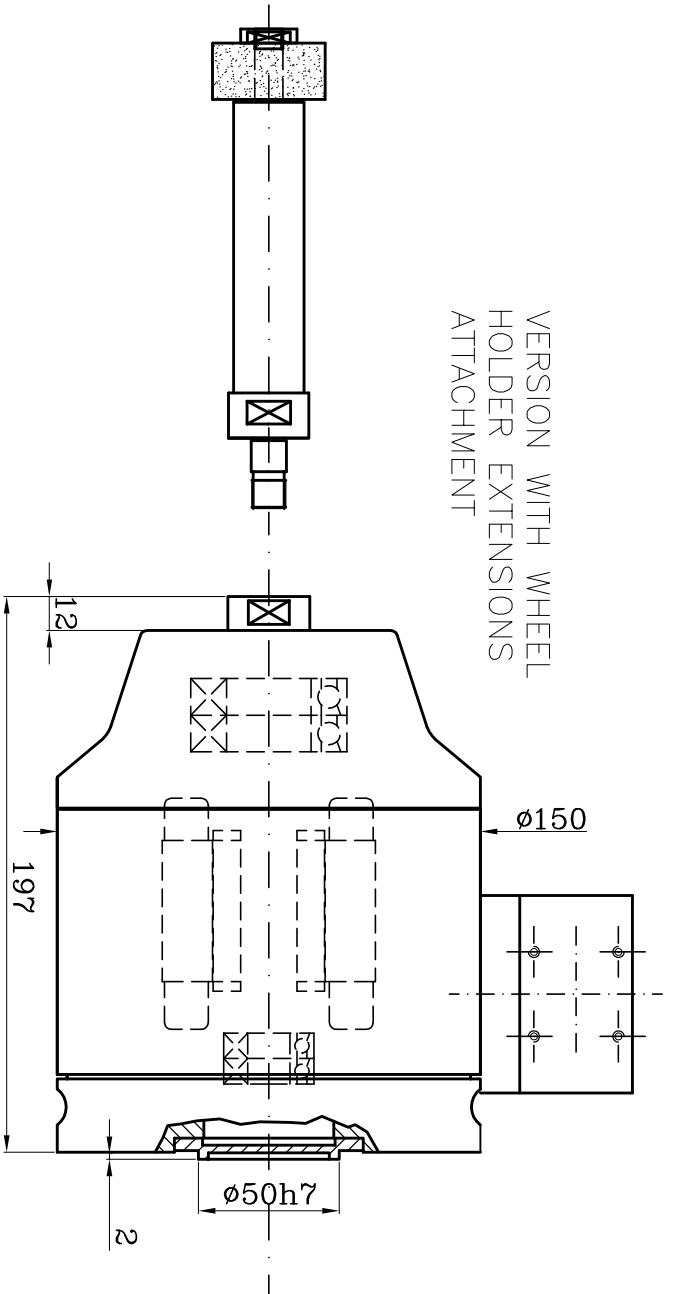
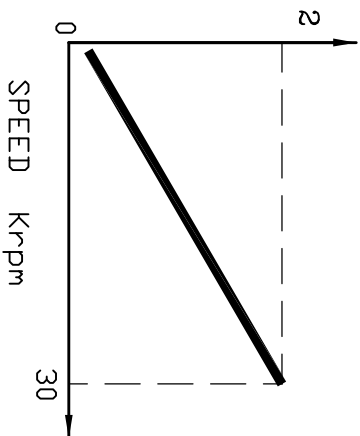


VERSION WITH WHEEL
HOLDER EXTENSIONS
ATTACHMENT

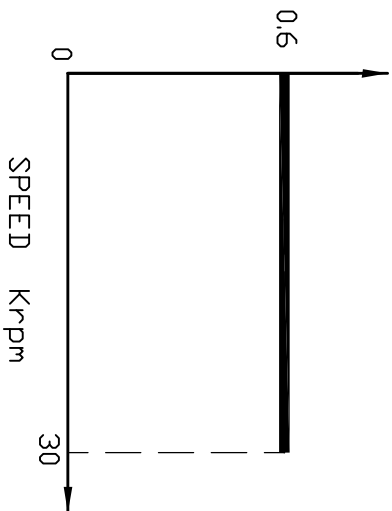


Ø16 Max

POWER KW (S1)



TORQUE Nm (S1)



MAX CURRENT 6.2 A - 350 V

VERSION WITH DIRECT
ATTACHMENT SCHAUBLIN
COLLETS TYPE D-24

WEIGHT : 13.5 KG



SUBJECT : PS-JG-1S
CUSTOMER :

SHEET : 1/1

DATE : 27/02/2007