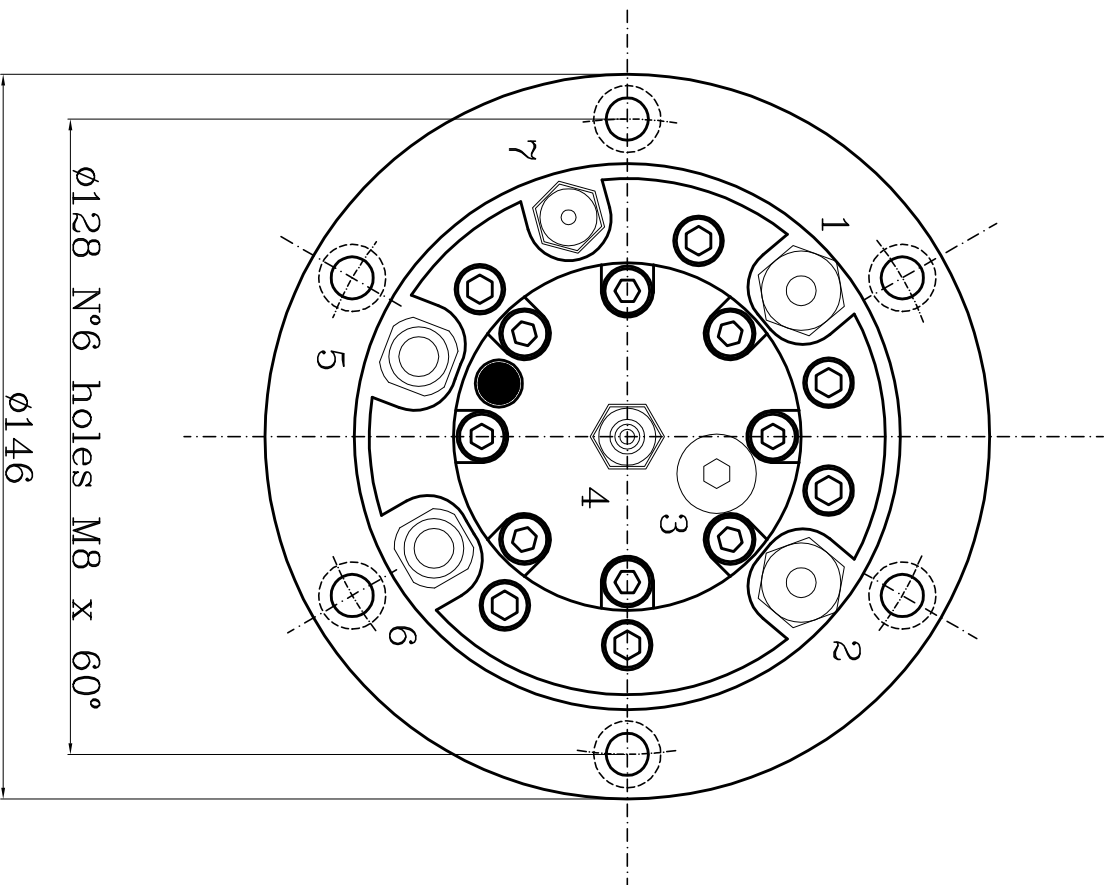


VIEW "A"



- 1-Coolant inlet (G1/8")
- 2-Coolant outlet (G1/8")
- 3-Hydraulic pressure (50bar max) (G1/4")  
(to be used only with arrested electros spindle)
- 4-Inlet air arbor's cleaning 6 bar (G1/8")  
(please use only and exclusively with  
released tool and piston under pressure)
- 5-Electric connection  
3Phases motor - Earth  
Thermic switch (NC)
- 6-Outlet sensor's cables (S1 - S2 -S3)  
(Veam VPT01W14-12P/VPT 06W14-12S)  
S1 = Tool's arbor clamped.  
S2 = Piston under pressure ready for  
receiving tools arbor.  
The electros spindle cannot turn.
- S3 = Signal of spindle rotating.  
S4 = Tool's arbor not clamped  
The electros spindle cannot turn.
- 7-Front-side pressurization (G1/8")



SUBJECT : PS-TC-3

CUSTOMER :

SHEET : 2/3

DATE : 02/03/2006