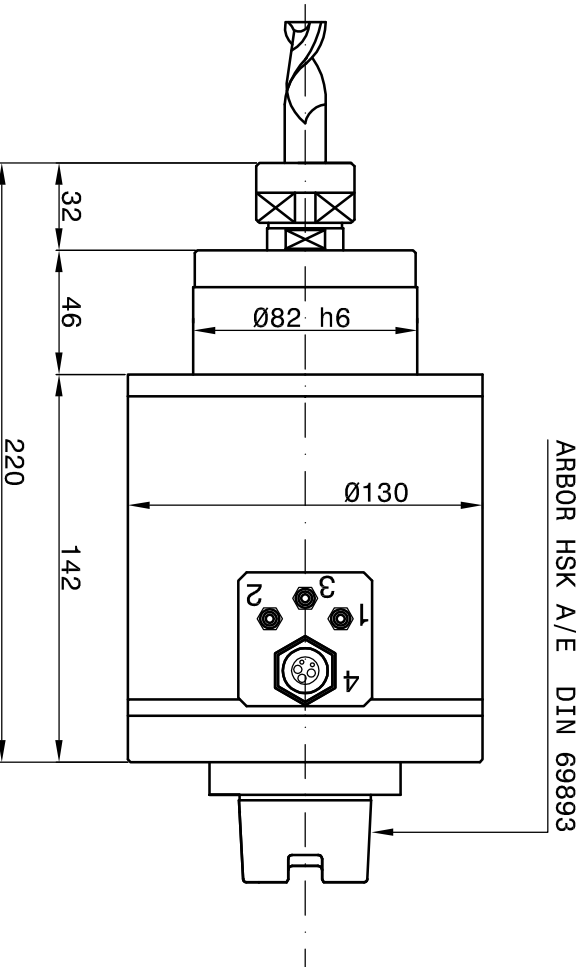


MAX CURRENT 12 A - 380 V



WEIGHT : Kg 14

- 1-LIQUID INLET (M6)
 - 2-LIQUID OUTLER (M6)
 - 3-FRONT PRESSURIZATION (M6)
 - 4-ELECTRIC CONNECTION
- 3 MOTOR PHASE + EARTH
THERMIC SWITCH NC

Runout arbor 0.002mm



SUBJECT : A5
CUSTOMER :

Sheet:1/1 Dwg.N°:258-00

DATE : 10/04/2007