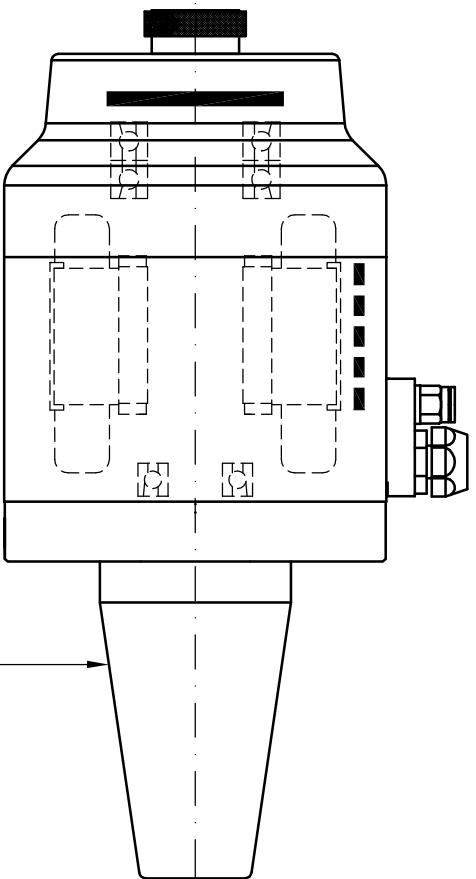
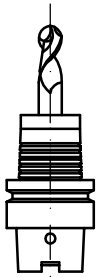
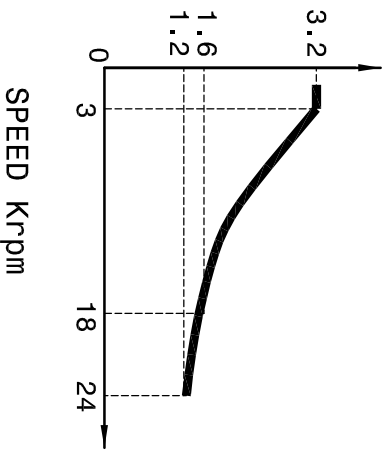


HSK C 32 DIN 69893

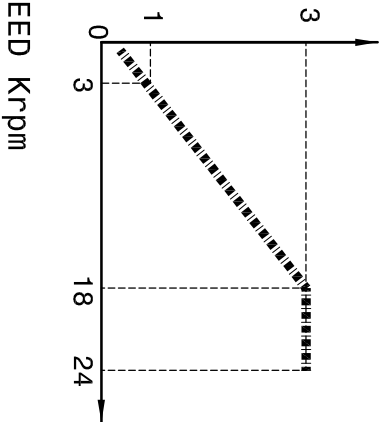


ARBOR ISO DIN 69871

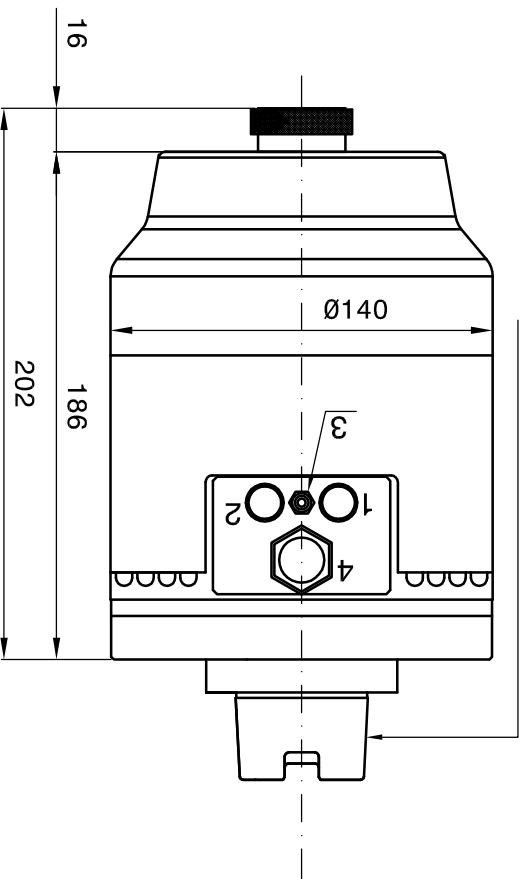
TORQUE Nm (S1)



POWER KW (S1)



MAX CURRENT 6.4 A - 350 V

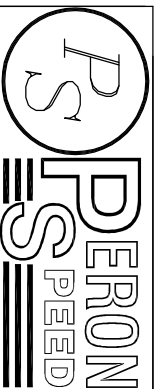


ARBOR HSK A/E DIN 69893

WEIGHT : Kg 11.5

- 1-LIQUID INLET (G 1/8")
- 2-LIQUID OUTLER (G 1/8")
- 3-FRONT PRESSURIZATION (M6)
- 4-ELECTRIC CONNECTION
- 3 MOTOR PHASE + EARTH
- THERMIC SWITCH NC

Runout arbor 0.002mm



SUBJECT : A4
CUSTOMER :

SHEET : 1/1

DATE : 02/01/2007