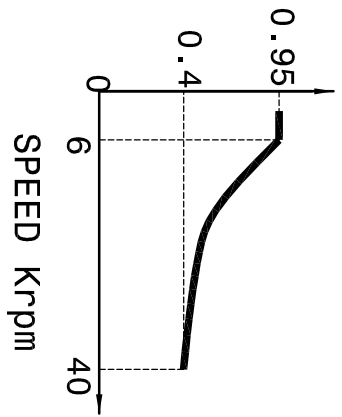
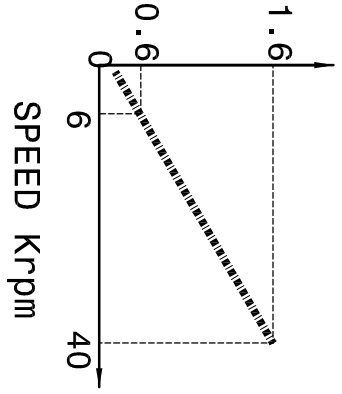


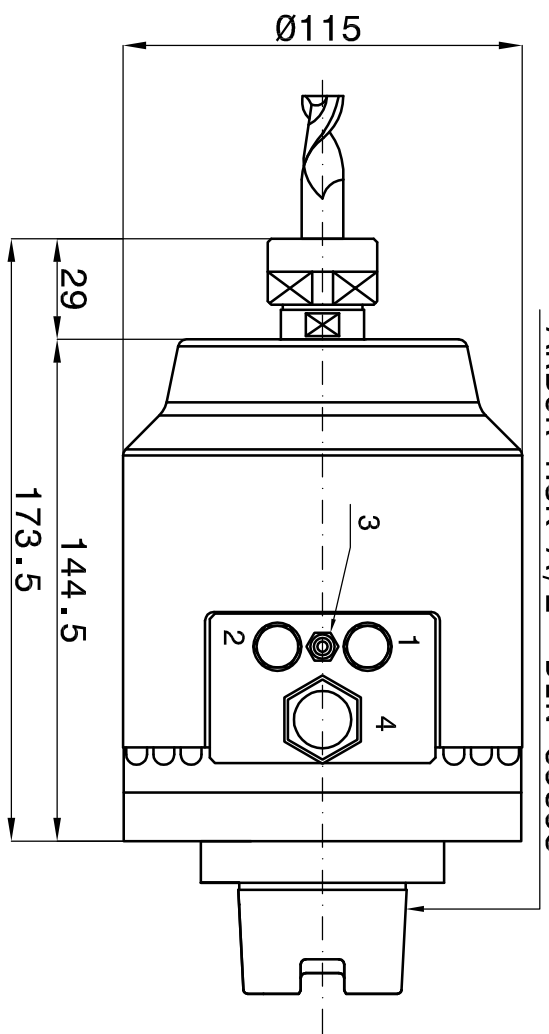
TORQUE Nm (S1)



POWER KW (S1)



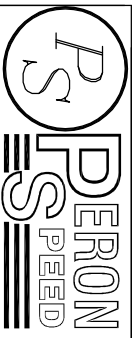
MAX CURRENT 6.5 A - 220 V



- 1-LIQUID INLET (G 1/8")
  - 2-LIQUID OUTLER (G 1/8")
  - 3-FRONT PRESSURIZATION (M6)
  - 4-ELECTRIC CONNECTION
- 3 MOTOR PHASE + EARTH  
THERMIC SWITCH NC

WEIGHT : Kg 4.8

Runout arbor 0.002mm



SUBJECT : A2  
CUSTOMER :

SHEET : 1/1

DATE : 02/01/2007