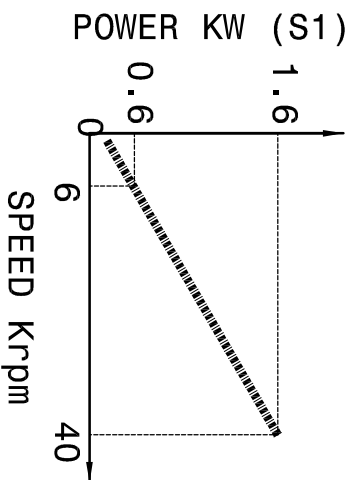
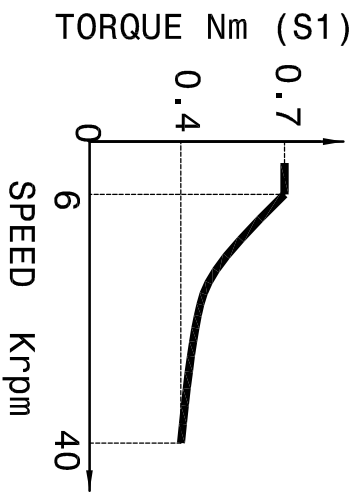
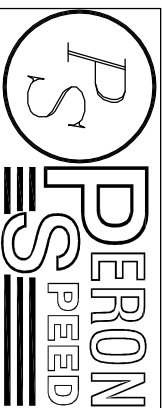
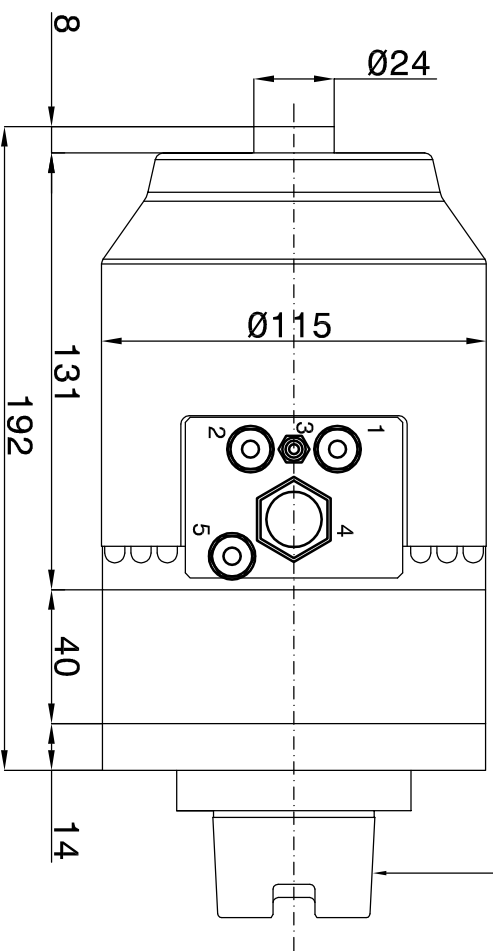


ARBOR HSK A/E DIN 69893



MAX CURRENT 6.5 A - 220 V

- 1-LIQUID INLET (G 1/8")
- 2-LIQUID OUTLET (G 1/8")
- 3-FRONT PRESSURIZATION (M6)
- 4-ELECTRIC CONNECTION
- 3 MOTOR PHASE + EARTH
- THERMIC SWITCH NC
- S1-TOOL'S ARBOR CLAMPED
- 5-AIR PRESSURE UNCLAMPING (G1/8")
- TOOL (6 bar)



SUBJECT : A2-TC
CUSTOMER :

Sheet: 1/1 Dwg. n°: 228-00

DATE : 21/03/2007