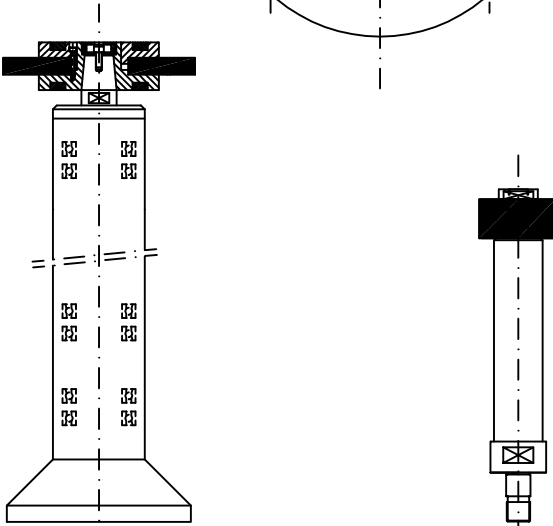
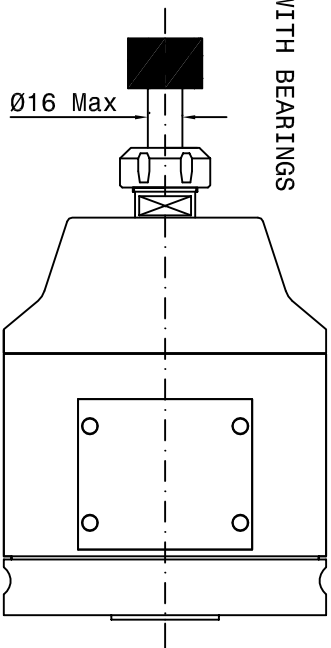


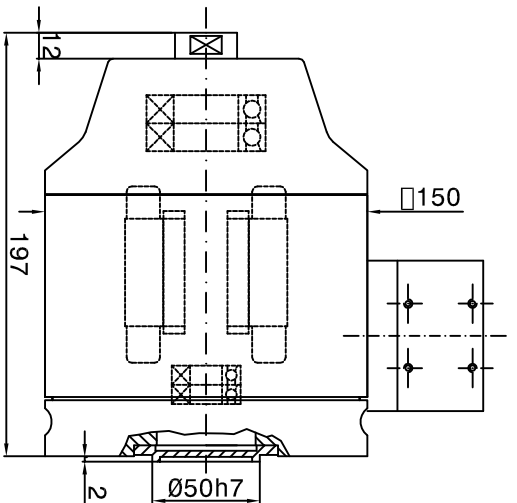
VERSION WITH ATTACHMENT
FOR WHEEL HOLDER EXTENSIONS



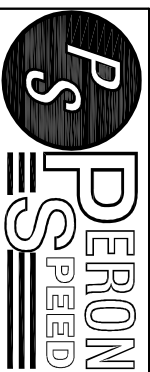
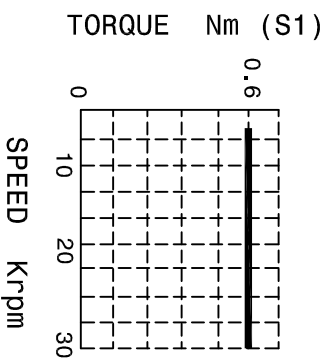
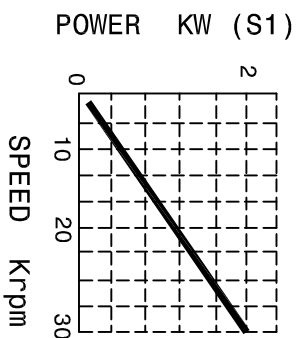
VERSION WITH ATTACHMENT
FOR WHEEL HOLDER EXTENSIONS WITH BEARINGS



VERSION WITH DIRECT ATTACHMENT
SCHAUBLIN COLLETS D 24



- Asynchronous motor 2 poles
- Max power 2 Kw
- Max torque 0.6 Nm
- Tension 380 V
- Max current 6.2 A
- Max frequency 500 Hz
- N°2 Ø 30 front hybrid ceramic bearings
- Bearings's Lubrication by permanent grease
- Manual clamping tools
- Autonomous cooling
- Weight Kg 13.5



SUBJECT: PS-JG-1-S
CUSTOMER: