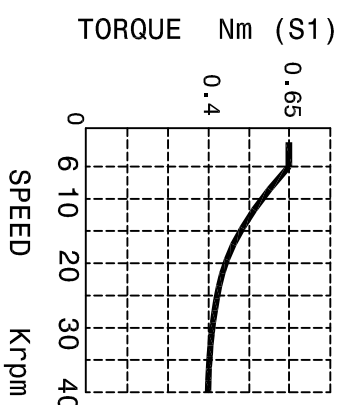
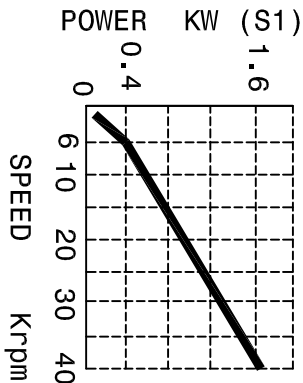
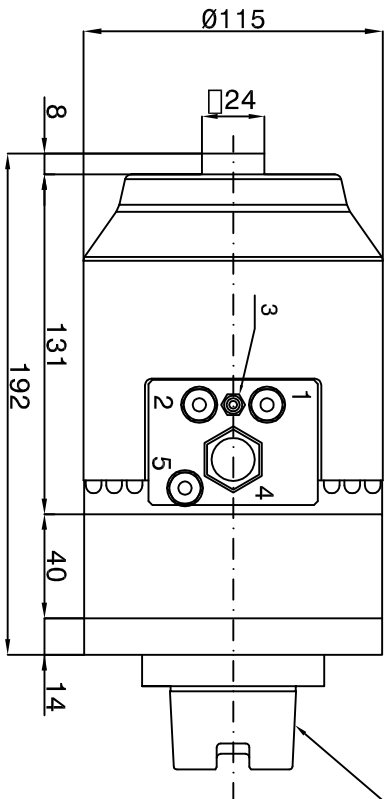
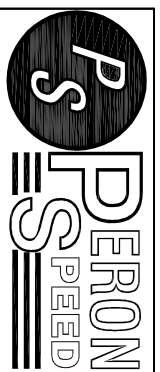


INTERCHANGEABLE ARBOR  
ISO-BT-HSK



- Asynchronous motor 2 poles
- Max power 1.6 Kw
- Max torque 0.95 Nm
- Tension 220 V
- Max current 6.5 A
- Max frequency 668 Hz
- N°2 Ø 25 front hybrid ceramic bearings
- Bearings's Lubrication by permanent grease
- Autonomous cooling + internal liquid circuit
- Automatic clamping tools
- Required cooling capacity 1100 Watt
- Weight Kg 9

- 1-Cooling inlet (G 1/8")
  - 2-Cooling outlet (G 1/8")
  - 3-Front pressurisation 1-1.5 Bar (M6)
  - 4-Electric connection
- Motor phases - Earth - Sensor NC
- S1-Tool clamped
  - 5-Inlet air tool change (6 Bar)



SUBJECT: PS-A-2-TC  
CUSTOMER: