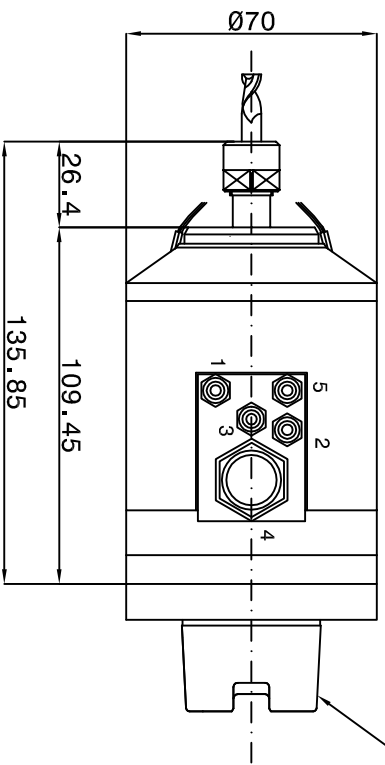
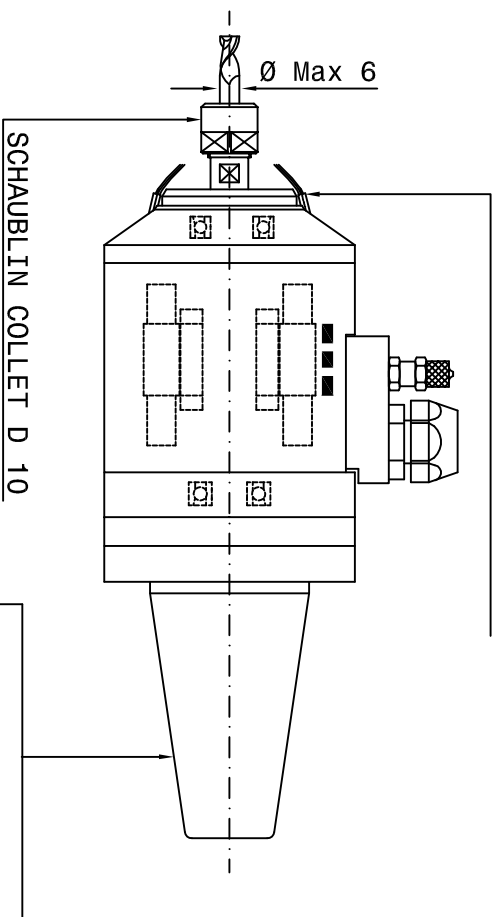
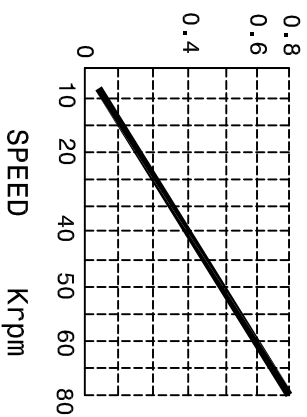


External Tool cooling exit

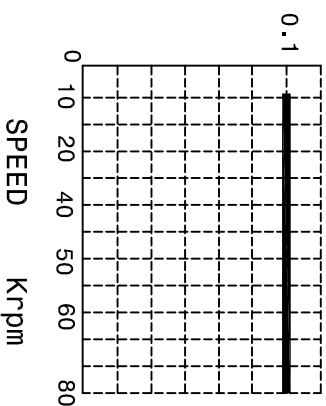


- 1-Cooling inlet
- 2-Cooling outlet
- 3-Front pressurisation
- 4-Electric connection
- 5-Inlet external tool cooling

POWER KW (S1)



TORQUE Nm (S1)



- Asynchronous motor 2 poles
- Max power 0.8 Kw
- Max torque 0.1 Nm
- Tension 220 V
- Max current 3 A
- Max frequency 1333 Hz
- N°1 Ø 12 front hybrid ceramic bearing
- Bearings's Lubrication by permanent grease
- Manual clamping tools
- Cooling by internal liquid circuit
- Required cooling capacity 800 Watt
- Weight Kg 4



SUBJECT: PS-A-01-S  
CUSTOMER:

SHEET : 1/1

DATE : 22/12/2008